



VICTORIAN CARROUSEL

PARK MODEL

VICTORIAN CARROUSEL PARK MODEL

The 28-foot Victorian Carousel features 18 Fantasy horses, two-abreast, with one chariot for a total capacity of 22 adults and 18 children.

- Victorian scenery package
- Self-lubricating, no-drip, maintenance-free Nylatron bearings provide clean, greaseless operation
- Electric, variable-speed drive offers smooth, clean indoor or outdoor operation

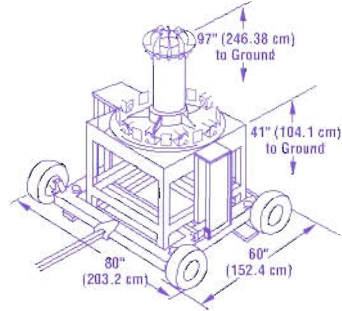
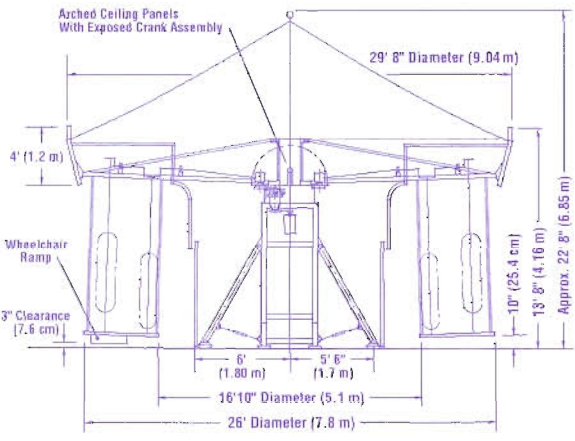
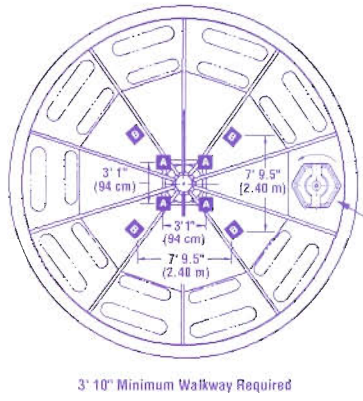
OPTIONS

- Outside and inside row handcrafted horses and menagerie figures
- Antique-style lighted cove ceiling
- Lighted ribbon top (indoor use only)
- Spiral brass pole sleeves and floor hanger rod sleeves
- Solid oak tongue-and-groove floors (indoor use only)
- Beveled glass mirrors on scenery panels
- Decorative crown with lighting
- Optional rotating tub holds 4 children

- Festival fabric top with colorful geometric design
- Wheelchair access package with chariot wheelchair positions
- Deluxe music console package with two speakers and optional speaker covers

VARIABLES

- 110 volt medium base incandescent lights**
- Cabochon lighting



SPECIFICATIONS

This ride conforms to all applicable ASTM amusement ride standards in effect on the date of manufacture.

SEATING

Number of seats:

- Standard — 18 horses, 1 chariot
- Optional — 20 horses
- Optional — 16 horses, 2 chariots

Maximum number of passengers per seat

- Horses — 1 adult or 1 child
- Chariot — 4 adults or 6 children

Maximum passenger weight per seat

- Horses — 170 lbs. (76.5 kg)
- Chariot — 680 lbs. (306 kg)

Maximum total number of passengers — 22 adults and 18 children

Maximum total passenger weight — 5,520 lbs. (2,484 kg)

Maximum out-of-balance — 6 adults on any one side

Minimum passenger height — 42 in. (107 cm) unaccompanied by an adult

Loading — all passengers simultaneously

Ride speed (maximum) — 5 rpm
 Ride speed (minimum) — 3 rpm
 Ride duration (maximum) — 2.5 minutes
 Ride duration (recommended) — 2 minutes
 Maximum wind speed (operating) — 35 mph
 Maximum wind speed (static) — 60 mph

MAXIMUM RIDE WEIGHT (EMPTY)

- With aluminum floors — 14,000 lbs. (6,335 kg)
- With oak floors — 15,000 lbs. (6,802 kg)

MAXIMUM RIDE WEIGHT (LOADED)

- With aluminum floors — 19,500 lbs. (8,844 kg)
- With oak floors — 20,500 lbs. (9,297 kg)

DRIVE — variable speed electric

POWER REQUIREMENTS

Total — 18 kW
 Drive — 6 kW
 Lights (with optional ceiling) — 12 kW

Minimum/maximum line voltage — 208/230 volt wye, 3 phase, 60 Hz

MOTOR*

Type — 230/460 volt, 3 phase, 60 Hz
 Horsepower rating — 5

LIGHTING*

Type — 110-volt incandescent

*All rides can be electrically wired to operate on other specified voltage/Hz.

**Please verify the acceptance of the use of medium base bulbs with local and state inspection agencies.

Specifications are effective as of publication date. Because we try to improve every Chance product, these specifications are subject to change without notice.

Dimensions given are approximate. For actual dimensions and installation specifications, refer to Chance Rides foundation drawings.

MAXIMUM INDIVIDUAL GROUND LOADS (POUNDS). REFER TO INSTALLATION DRAWINGS FOR SPECIFIC FOOTING LOCATIONS.

PERFORMANCE

Direction of travel — counterclockwise



Post Office Box 12328
 Wichita, KS 67277-2328
Telephone 316.942.7411
Facsimile 316.942.7416

E-mail rides@rides.com
Web www.rides.com
 •••••
1-800-CHANCE-1

Symbol	A	B
Description	Tower Base	Outriggers
Operating No Wind 40 passengers	7,400 lbs.	8,000 lbs.
Operating 35 MPH Wind 40 passengers	9,000 lbs.	6,800 lbs.
Static 60 MPH Wind No Passengers	9,000 lbs.	7,500 lbs.